

## Vibro-Acoustics®

### RAIN HOOD

Rain Hoods are designed to fit any Vibro-Acoustics Fan Silencer using a bolted flange connection. The streamlined, open area designs result in minimal added pressure drop to the fan system, while protecting against wind driven rain and snow.

#### STANDARD FEATURES

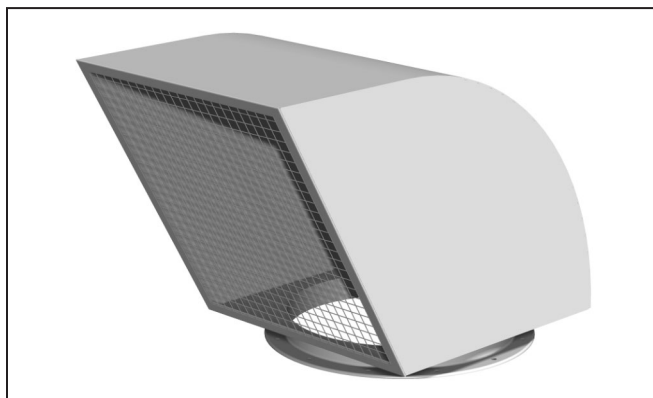
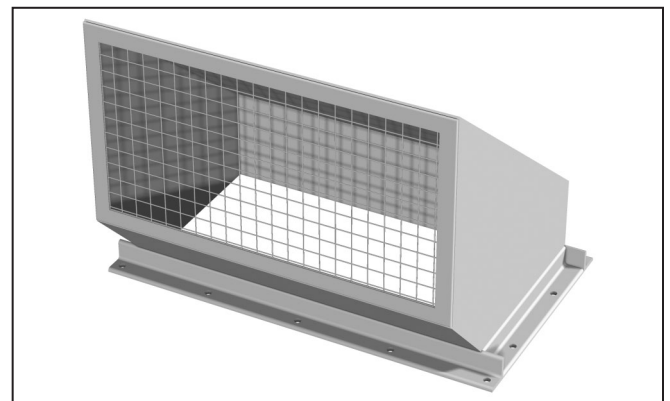
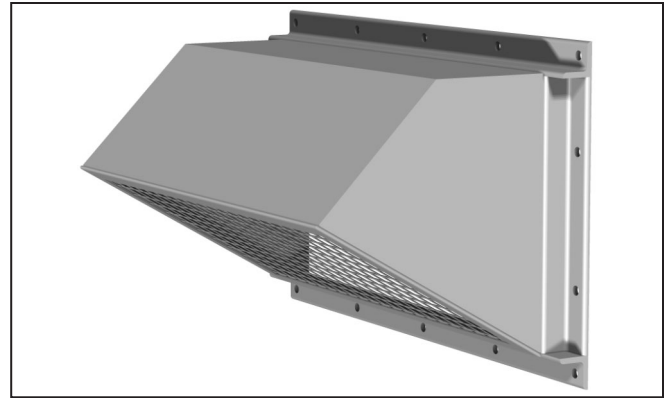
- HRS Casing with External Prime Painting and Continuously Welded Seams
- External Gauges Compatible with Silencer Construction
- 1in. x 1in. x 16ga. Galvanized Birdscreen Inlet Protection

#### ACCESSORIES

- Duct Transition or Offset Piece
- Bolt and Gasket Kits
- Flow Measurement Probe

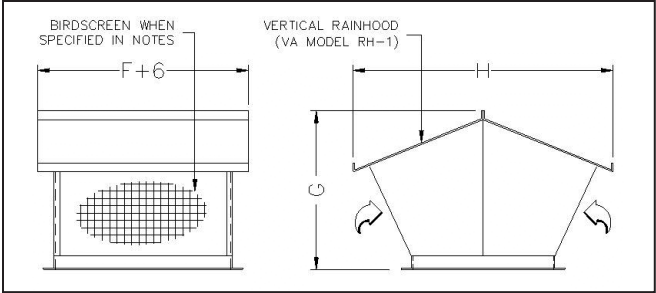
#### OPTIONS

- Special Painting Systems
- Corrosive Resistant Coating
- Support Brackets
- Access Panel
- Drainage Connection
- Removable Birdscreen
- All Galvanized or Stainless Steel Construction Materials
- Custom Designs and Configurations For Special Space and Performance Requirements

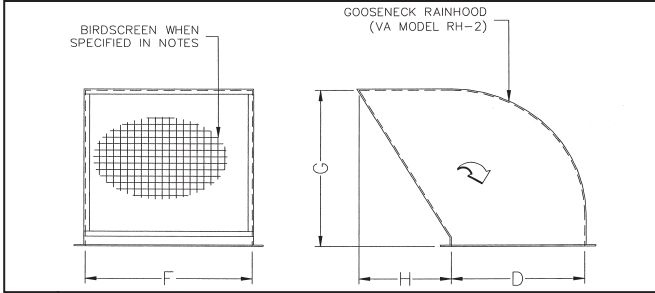


# Vibro-Acoustics®

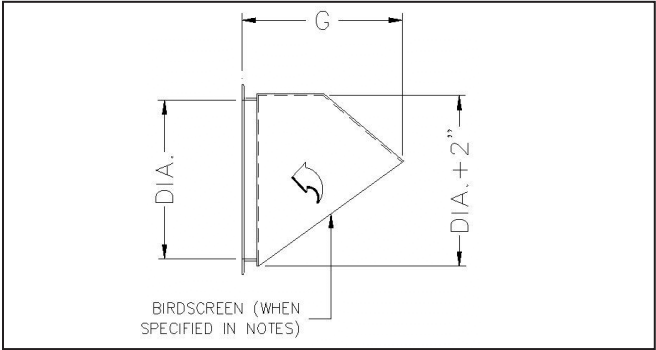
## RAIN HOOD



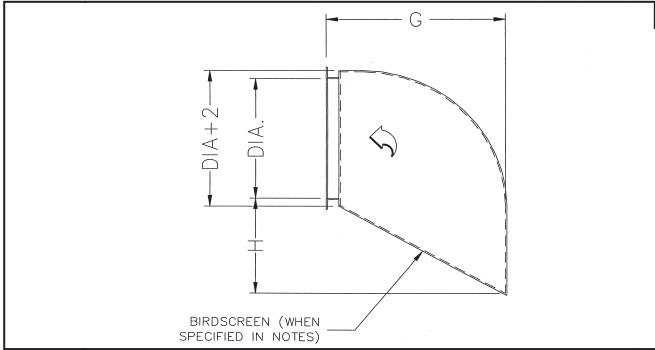
Model RH-1 Vertical



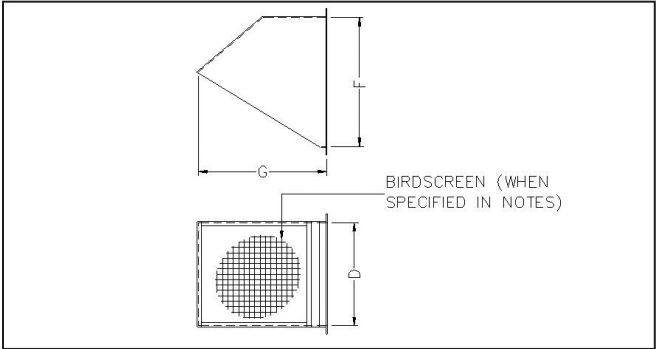
Model RH-2 Gooseneck



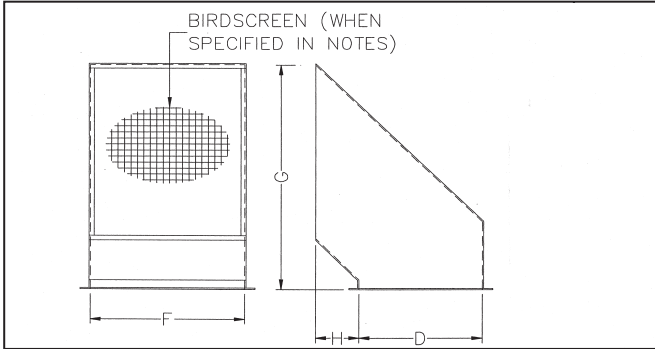
Model RH-3 Horizontal (Round Connection)



Model RH-4 Gooseneck (Round Connection)



Model RH-5 Horizontal



Model RH-6 Vertical Segment

Note: Reference Submittal Drawings for details on critical Rain Hood dimensions.