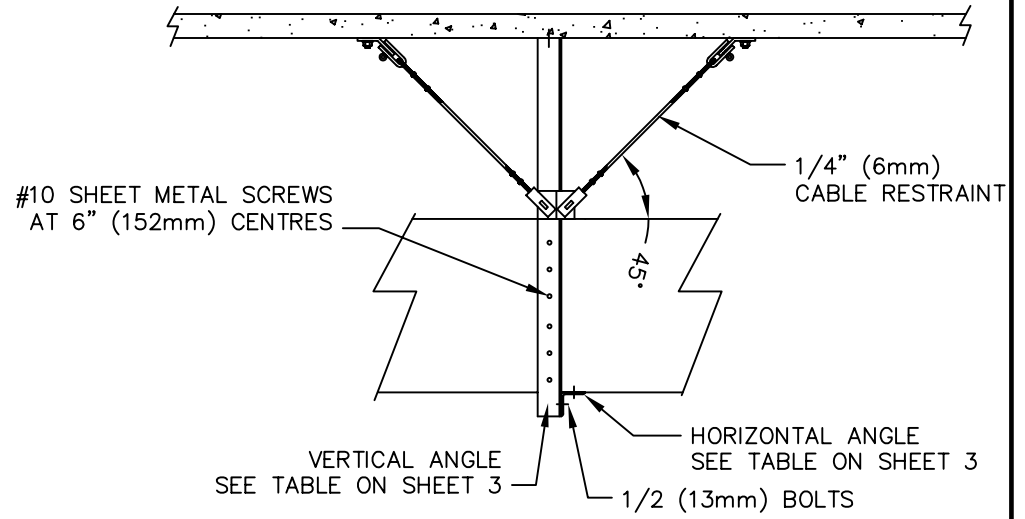
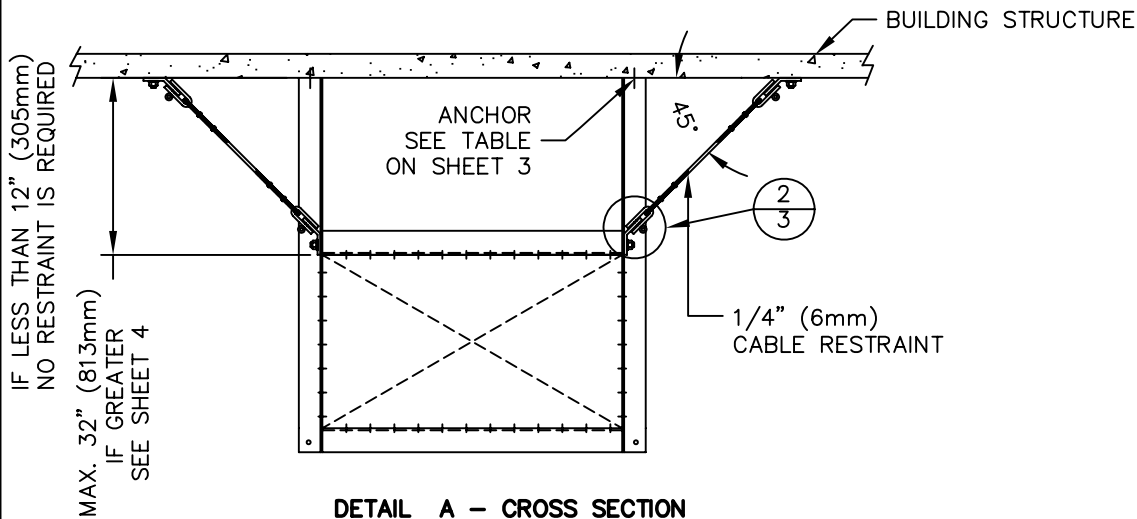


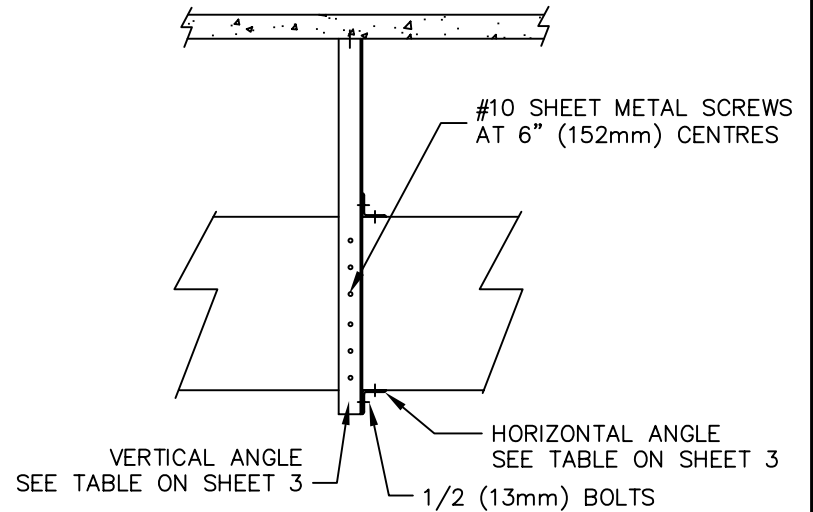
**DETAIL B - PLAN VIEW  
AT TRANSVERSE / LONGITUDINAL RESTRAINT  
(TWO CABLES EACH SIDE OF THE DUCT)**



**DETAIL B - SIDE VIEW**



**DETAIL A - CROSS SECTION  
AT TRANSVERSE RESTRAINT  
(ONE CABLE EACH SIDE OF THE DUCT)**



**DETAIL A - SIDE VIEW**

PROJECT:		SEISMIC CABLE RESTRAINT- DUCT		<b>Vibro-Acoustics®</b>	
CUSTOMER:					
CONSULTANT:		DRAWN BY: SB	SCALE: NTS	DRAWING NO.: Ducting 2of5	
PROJECT NO.:	PROJECT MANAGER:	CHECKED BY: JP	DATE: 18 Aug 03		