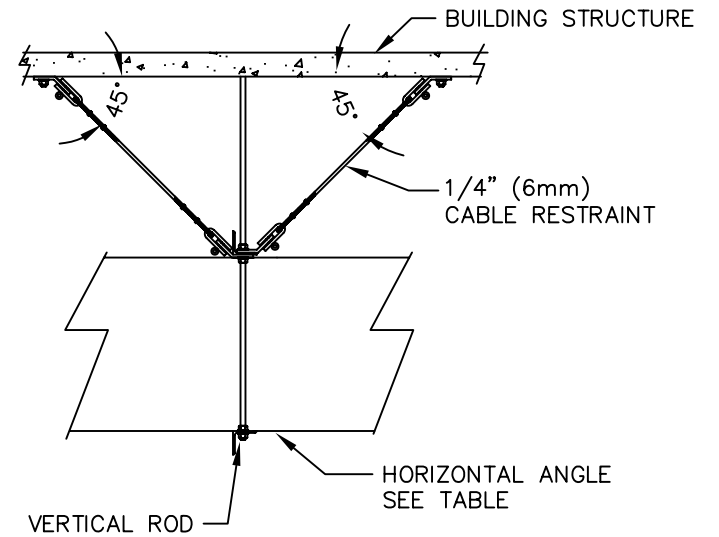


**DETAIL D – CROSS SECTION  
AT TRANSVERSE RESTRAINT  
FOR ROD SUSPENDED DUCT  
(ONE CABLE EACH SIDE OF THE DUCT)**



**DETAIL – D  
LONGITUDINAL RESTRAINT  
FOR ROD SUSPENDED DUCT**

PROJECT:		SEISMIC CABLE RESTRAINT- DUCT		<b>Vibro-Acoustics®</b>	
CUSTOMER:					
CONSULTANT:		DRAWN BY: SB	SCALE: NTS		
PROJECT NO.:	PROJECT MANAGER:	CHECKED BY: JP	DATE: 18 Aug 03	DRAWING NO.: Ducting 5of5	REVISION NO.: 0